



# euroscreen® Sesame 2.1 Tab Tension

## SCREEN SURFACES



### FlexWhite

Pliable matt white front surface, superb colour rendition, Full HD compliant. Gain 1.0.



### ReAct 2.1

Pliable silver grey front surface, enhances colour contrast in bright light, Full HD compliant. Gain 1.0.



### FlexRear

Neutral grey rear projection surface. Only available without borders. Gain 2.5.

## PROJECTION FORMATS



Available in sizes without black borders.



The screen has 5 cm wide black borders. The format of the viewing area is 4:3.



The screen has 5 cm wide black borders. The format of the viewing area is 16:10.



The screen has 5 cm wide black borders. The format of the viewing area is 16:9.

## CONTROL OPTIONS



### Installation

5m cable. Needs to be installed by electrician.



### Accessories

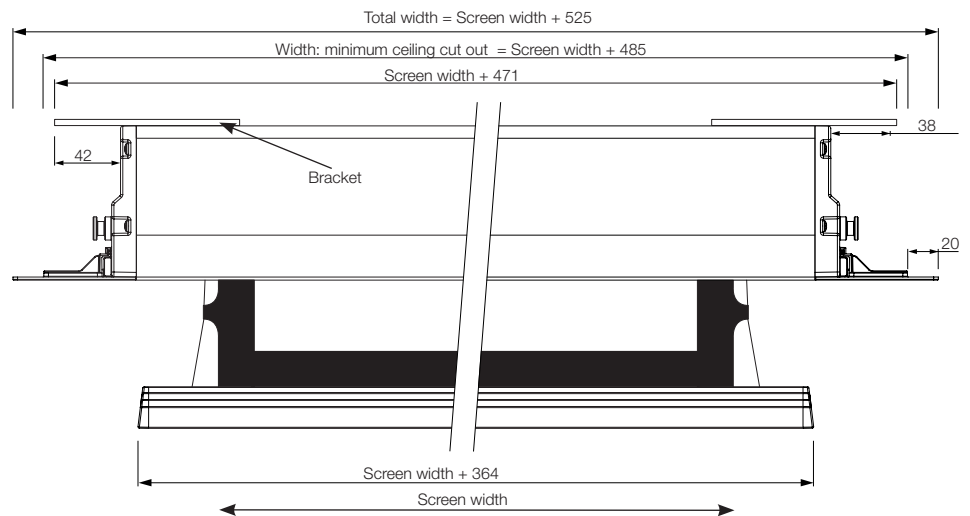
Euroscreen® Control Box is recommended to add additional controls for convenience. The basic add-ons are:

- IR transmitter
- AutoLink
- 12V trigger cable

For full description of options please see separate spec sheet.

The Sesame 2.1 is an award winning case with an innovative recessed ceiling design for installation within a ceiling void, suitable for installation in suspended or plastered ceilings. The Tab Tension function provides a perfect lay flat viewing surface, ideal for short throw projectors. Adjustable inner brackets allow for fine-tune of bottom dowel for perfectly flush closure when retracted up into case. The white aluminium case itself has a stylish appearance and unique removable integrated external flange profiles for easy and quick service access. The case also features a concealed drop function of the complete screen section which enable for easy access to install case first and screen later. Brackets especially designed for Sesame 2.1 provides a trouble-free installation of the case in a prepared ceiling cut-out up to a 100 mm ceiling void. If black borders are chosen, a 30cm black drop is standard. Motor is by default on the viewers right side.

## SCREEN DIMENSIONS



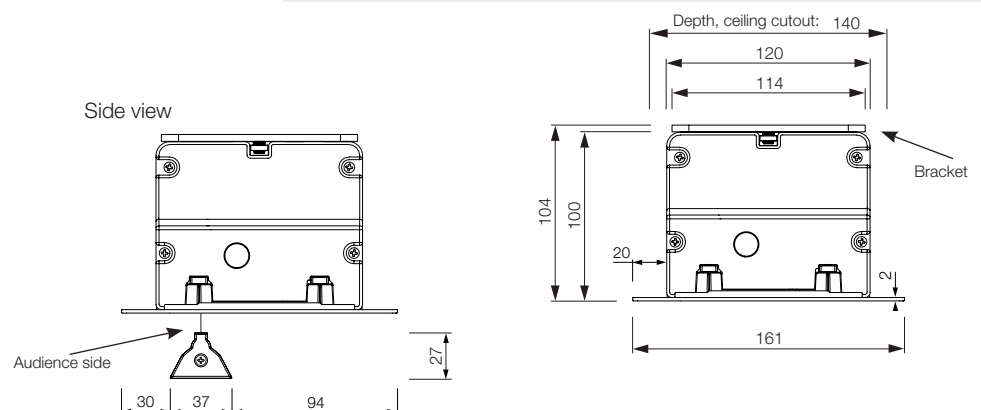
### Considerations regarding cut out width

Minimum cut out width: screen width + 485

Maximum cut out width: screen width + 523

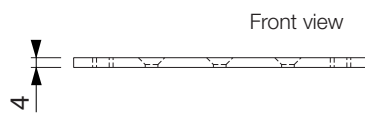
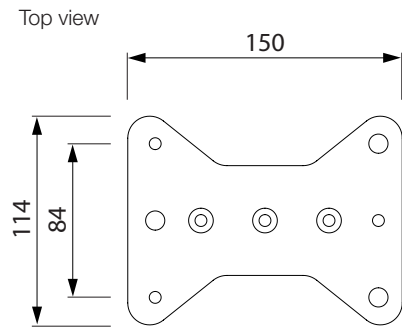
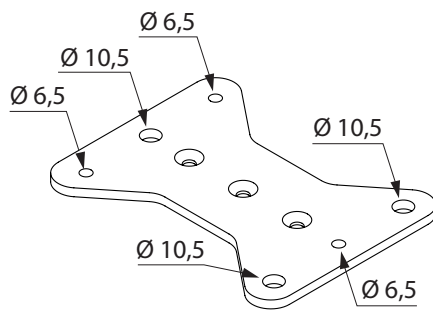
Recommended cut out width: screen width + 505

## CASE DIMENSIONS

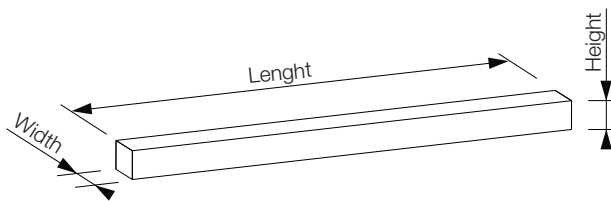


## BRACKET DIMENSIONS

Brackets are included in all Sesame products



## PACKAGING DIMENSIONS



Screen width	Box length	Box width	Box height
1600	2200	245	250
1800	2400	245	250
2000	2600	245	250
2200	2800	245	250
2400	3000	245	250